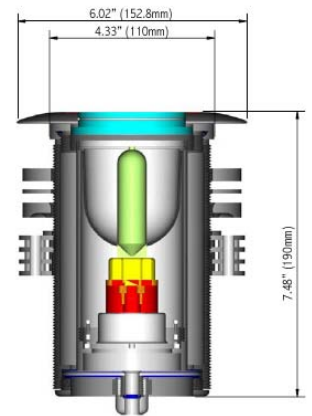




Dimensions



IML 150W Underwater Hull Light

A high output 120/277VAC-150W (50/60Hz) Thru-Hull Light designed with utmost attention to thermal management (maintaining low operating temperature). Thermal cut-out switch will prevent overheating should the unit be left on while hull is out of the water when planing or during haul-out. Casing and bezel are made from 316 Stainless Steel. Also included is a high performance, metal halide arc lamp & ballast. Ballast housing is complete with weather-proof connectors and pre-formed cabling.

Features and Benefits

- Rear Access design for Easy Maintenance & Lamp Changes
- Low Profile Bezel & Flush Lens for Optimized Hydrodynamics
- Heat-Treated 15mm Thick Toughened Ground Glass Lens
- High Temperature Silicone Seals & Gaskets
- Over Temperature Cut-Out w/Auto Re-set
- Over Temperature Indicator (optional alarm)
- Optional Self-Leveling Mounting Kit
- Built in Mains On/Off Switch

Ballast/Control Box Specifications

Housing:	Epoxy-Coated Cast Aluminum
Dimensions:	11" x 9" x 3.5" (280mm x 230mm x 90mm)
Weight:	3 lbs. (1.36kg)
Water Ingress Rating:	IP65

150W Underwater Light Specifications

Housing & Bezel:	316L S.S. Electro-Polished
Fixture Weight:	11.5 lbs (5.2 kg)
Hole Cut-Out:	4.33" (110mm)
Hull Thickness:	5" (125mm), .25" (6mm)
Input Voltage:	120VAC/60Hz
Current Draw:	1.4 Amps
Lamp Wattage:	150W Metal Halide Short Arc
Lamp Details:	7,000 K temp, 12,000 Lm
Lamp Output (Start):	4Kv (Start), 97V (Running)
Electrical Protections:	Thermal & Short Circuit (lamp & ballast)
Water Ingress Rating:	IP66

